



HURAKAN

PIZZA PREP TABLE HKN-PZ93R3E

Item #: HKN-PZ93R3E Project: _____

Qty: _____ Date: _____ Approval: _____



Features

- ✓ These units offer ample space for organized storage solutions.
- ✓ Energy-efficient refrigeration systems ensure optimal performance and reduced costs.
- ✓ Built with durable materials, these appliances are designed for longevity.
- ✓ Easy-to-use controls and interfaces make operation seamless and convenient.



ETL, US



5-15P



ETL Sanitation

Instructions and images in this manual are only for reference and may differ from the actual product. Launch the E-Manual.

www.equip.me

Technical Data

Width	91 7/8 Inches
Depth	31 1/2 Inches
Height	39 7/16 Inches
Power Cord Length	84 Inches
Interior Width	91 7/8 Inches
Right Door Opening Width	20 3/8 Inches
Interior Depth	27 3/6 Inches
Interior Height	22 15/16 Inches
Work Surface Height	35 1/4 Inches
Amps	6.96 Amps

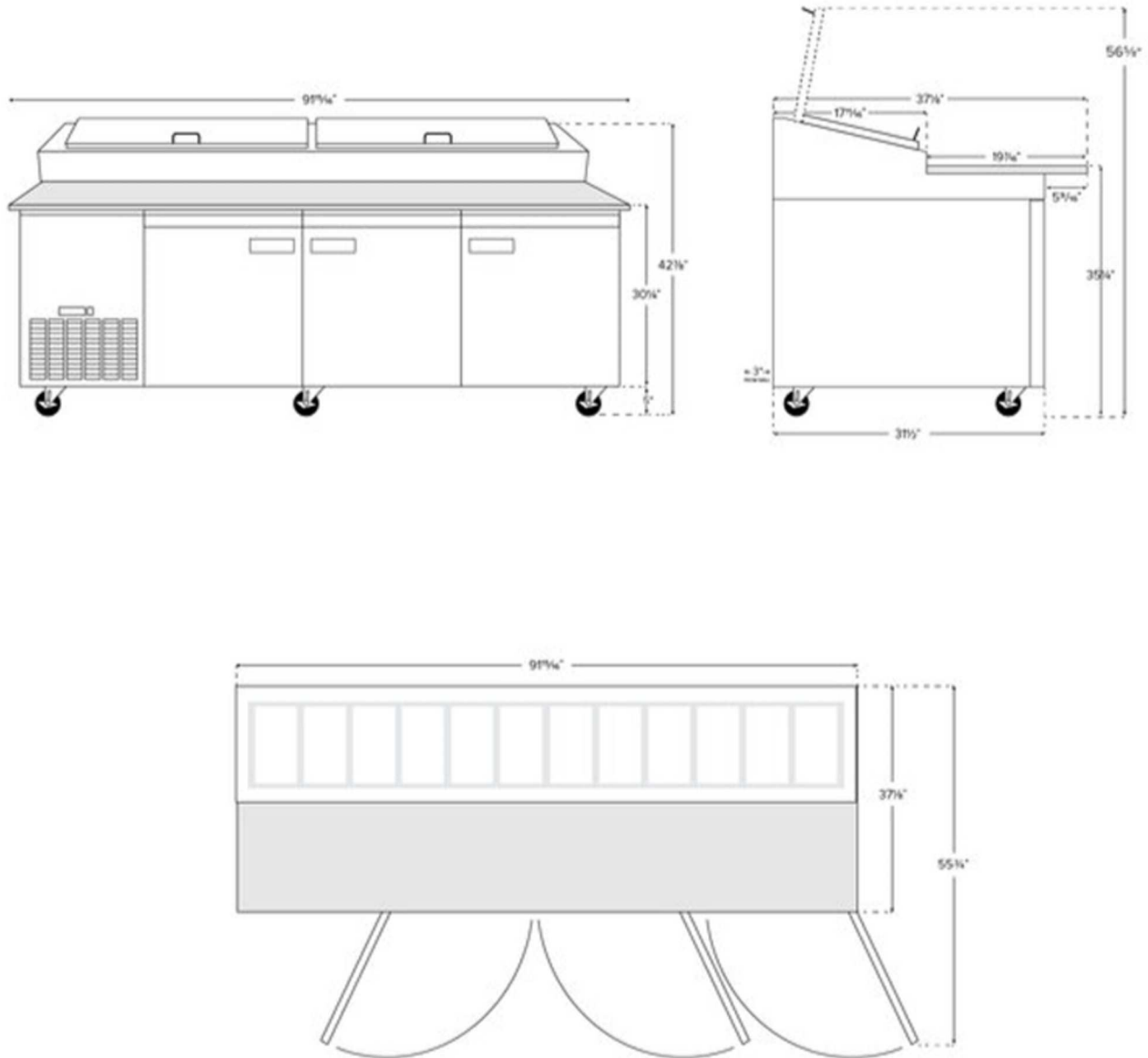


Technical Data

Hertz	60 Hertz
Phase	1 Phase
Voltage	115 Volts
Access Type	Doors
BTU (LBP)	1740 BTU
Capacity	24.2 cu.ft.
Compressor Location	Rear Mounted
Compressor Style	Side / Rear Breathing
Door Style	Swing
Door Type	Solid / Left & Right, Right
Features	Removable Magnetic Door Gaskets Self-Closing Doors
Horsepower	2/3 HP
Individual Shelf Capacity	88 lb.
Number of Doors	3 Door
Number of Shelves	3 Shelf
Plug Type	NEMA 5-15P
Refrigerant Capacity	3.7 oz.
Refrigerant Type	R-290
Temperature Range	33 - 40 Degrees F
Top Capacity	441 lb.
Type	Refrigerators Undercounter Refrigerators



Plan View





Notes & Details

The Pizza Prep Table with Solid Door is designed for high-demand kitchen environments, combining functionality with a sleek, durable build. Featuring a robust stainless steel interior and exterior, this unit is crafted to withstand the rigors of daily use while maintaining a professional appearance. The reversible doors add flexibility in kitchen setups, and their self-closing mechanism (when opened less than 90°) helps conserve energy by keeping cold air inside.

Ease of maintenance is a priority: the inner box has smooth, curved edges that make cleaning simple and quick. Additionally, the magnetic sealing strip effectively retains cold air and can be removed without any tools, ensuring easy upkeep. For added security, each door includes a lock and key, while the handle is customizable to fit specific aesthetic or ergonomic preferences.

The digital thermostat, made by top Italian brands like Dixell, Carel, or Eliwell, ensures precise temperature control, crucial for keeping ingredients fresh. Powered by a high-quality Embraco compressor, this table provides reliable performance with optimal cooling efficiency.

Optional Upgrades: For even more customization, consider upgrading to German EBM fans, an automatic defrost system, and adjustable feet or lockable casters, enhancing both flexibility and performance.

ETL Sanitation



This product has been certified by ETL, a division of the Intertek Group, to meet applicable sanitation standards required for use in the United States and Canada.

5-15P



This unit comes with a NEMA 5-15P plug

ETL, US



This product has been certified by ETL, a division of the Intertek Group, to meet applicable electrical product safety standards required for use in the United States.