

BACK BAR EQUIPMENT

Model: **BB50SNSSSGD**

Natural Refrigerant R-290 Model

50" Back Bar Display Cooler with Sliding Glass Doors Shallow Depth

Stainless steel exterior, countertop, interior back and side panels with reinforced stainless steel floor.



Options and Accessories

(upcharge and lead times may apply)

| | |
|---|-----------------------------|
| Additional epoxy coated shelves | Condensing unit on right |
| Stainless steel shelves | Wine rack |
| Food storage rated stainless steel interior (NSF-7) | Casters or legs |
| Riser base* (field installed) | Standard depth |
| Solid doors (consult factory) | Pass-thru (consult factory) |
| Hinged glass doors (consult factory) | |

Consult factory for other model configurations, options and accessories.

* Adding a Riser Base increases overall height 2"

Project Name:

Model Specified:

Location:

Item No:

Quantity:

AIA #:

SIS #:

Standard Model Features

REFRIGERATION SYSTEM

Performance rated front breathing refrigeration system

Natural, environmentally safe, high efficiency R-290 refrigerant¹

Automatic, hot gas condensate evaporator

Extra large, balanced evaporator coil

CABINET ARCHITECTURE

High density, non-CFC polyurethane foamed-in-place insulation

Front, rear and side venting louvered grills

Double pane, tempered low emissivity sliding glass doors

Stainless steel reinforced threshold

MODEL FEATURES

Low profile cabinet design

Electronic controller with digital display & hi-low alarm

LED interior lighting

Off-cycle defrost

Easily accessible and serviceable slide-out condensing unit

¹ R-290 refrigerant meets all federal and state regulatory requirements.

Continental[®]
Refrigerator

Toll-Free: 800-523-7138
Phone: 215-244-1400
Fax: 215-244-9579

539 Dunksferry Road
Bensalem, PA 19020
www.continentalrefrigerator.com

APPROVAL:

Model Specifications

DIMENSIONAL DATA

| | |
|--|-----------------|
| Net Capacity (cubic feet) | 13 (368 cu l) |
| Width, Overall (inches) | 50 (1270 mm) |
| Depth, Overall (inches) (including top & bumpers) | 24 (610 mm) |
| Depth, Body Only (inches) (less doors) | 21 (533 mm) |
| Height, Overall (inches) | 34 3/4 (883 mm) |
| Capacity: # Barrel Kegs | 0 |
| Capacity: # Straight Wall Kegs | 2 |
| Capacity : # 1/6 Size Kegs | 6 |
| Number of Doors | 2 |
| Number of Shelves | 4 |

REFRIGERANT DATA

| | |
|-----------------------------|------|
| Condensing Unit Size (H.P.) | 1/4 |
| Capacity (BTU per hour)* | 1800 |

ELECTRICAL DATA

| | |
|--|---------------------|
| Voltage (International) | 115/60/1 (220/50/1) |
| Feed Wires (including ground) | 3 |
| Total Amps (International) | 3.7 (3.4) |
| 10 ft. Cord/Plug [attached] (International) | Yes (No) |

SHIPPING DATA

| | |
|--------------------------|--------------|
| Weight (pounds) | 385 (175 kg) |
| Height - Crated (inches) | 46 (1168 mm) |
| Width - Crated (inches) | 58 (1473 mm) |
| Depth - Crated (inches) | 42 (1067 mm) |

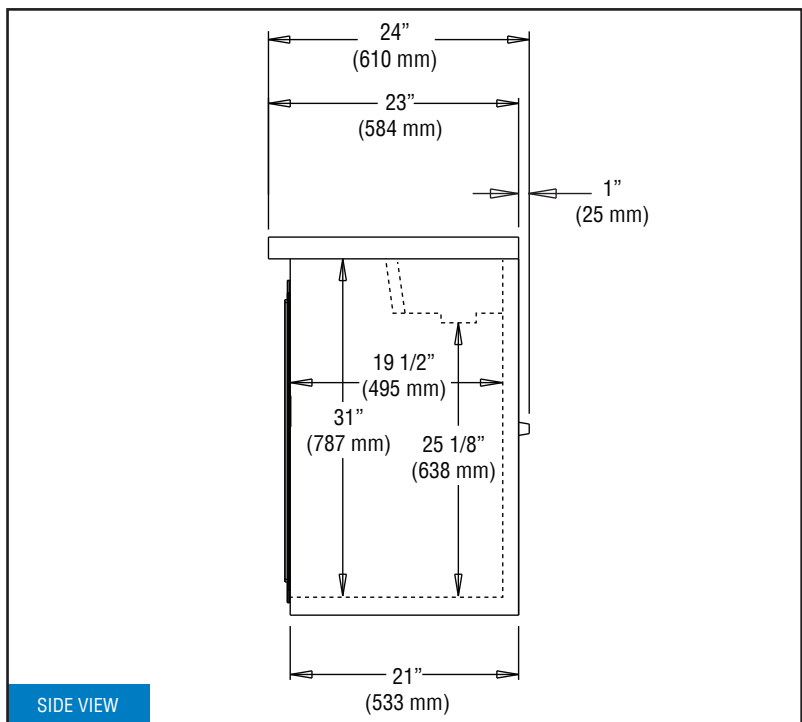
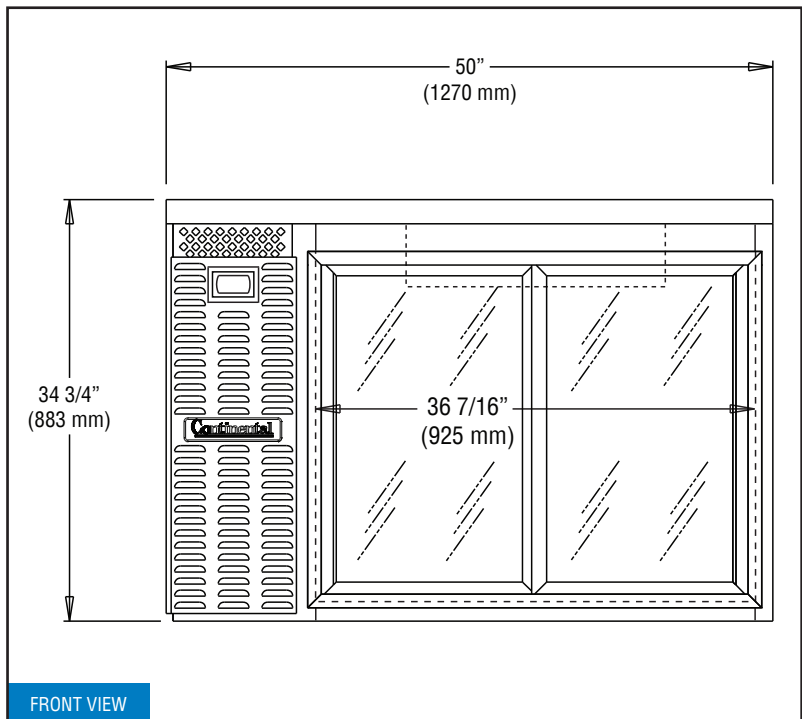
* Rating @ +25°F evaporator, 90°F ambient

Figures in parentheses reflect metric equivalents rounded to the nearest whole unit.



Equipped with one NEMA-5-15P Plug
(varies by country)

Model Plan Views



IMPORTANT NOTE: Models are completely front breathing and take in and exhaust air through the front grill. For proper operation, the area in front of the cabinet **must** not be obstructed in any way. A clearance of 1" on the back and 3" on the sides is recommended.

Continental
Refrigerator

Toll-Free: 800-523-7138
Phone: 215-244-1400
Fax: 215-244-9579

539 Dunksferry Road
Bensalem, PA 19020
www.continentalrefrigerator.com

Due to our continued efforts in developing innovative products, specifications subject to change without notice.

