

Insulated Self-Contained Kettle

Electric, 2/3 Jacketed Insulated for Safety
Deep Drawn Construction
Tilting, Table-Top Mounted
Made in USA

THERMA TILT
Model
TT-TT2/3J-T-E

Standard Features



Model TT-TT2/3J-T-E20QT

- ◆ Kettle System
 - ◇ Seamless deep-drawn 304 kettle liner with an integrally formed radius lip
- ◆ 304L stainless kettle jacket
- ◆ Kettle protection system
 - ◇ Thermostat temperature control, 150°F - 285°F
 - ◇ Pressure relief valve
 - ◇ Pressure gauge
 - ◇ Jacket-water fill
 - ◇ Automatic low water cut off and indicator light
 - ◇ Field replaceable heating elements
- ◆ Full body insulation between kettle jacket and outer casing
- ◆ 304 stainless outer casing seam welded to radius lip
- ◆ 304 stainless, seam welded control console
- ◆ 304 stainless, reinforced base plate

Models and Capacities

TT-TT2/3J-T-E20QT-TT	20 qt.	19 l.
TT-TT2/3J-T-E40QT-TT	40 qt.	38 l.

Select Voltage: 208V 240V
 380V 415V 440V 480V

Select Phase: 1Ø 3Ø

719

Optional Features and Accessories

See price list for supplemental information regarding options

Faucet Options:

- Single or dual faucet with bracket & 12" or 18" swing nozzle
- 48" flexible spray hose assembly (vinyl or stainless) for dual or single faucet
- Faucet bracket
- Riser for table mounted fill faucet
- Automatic water filling meter

(Call for information regarding additional faucet options)

Prison/Security Options:

- Fasteners (screws & nuts)
- Nut driver tool
- Screw driver tool
- Lockable control cover

Other Options:

- Table for one or two TEH kettles
- Anti-splash screen for sliding drawer
- Mixer/agitator, single speed
- Pressure switch
- Tilt locking device

Accessories:

- Care kit

Covers:

- Lift-off cover

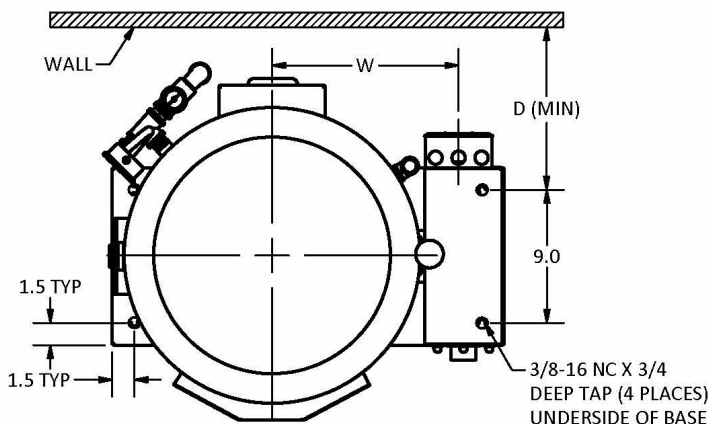
Baskets:

- Single basket insert
- Nylon bag insert with spreader ring

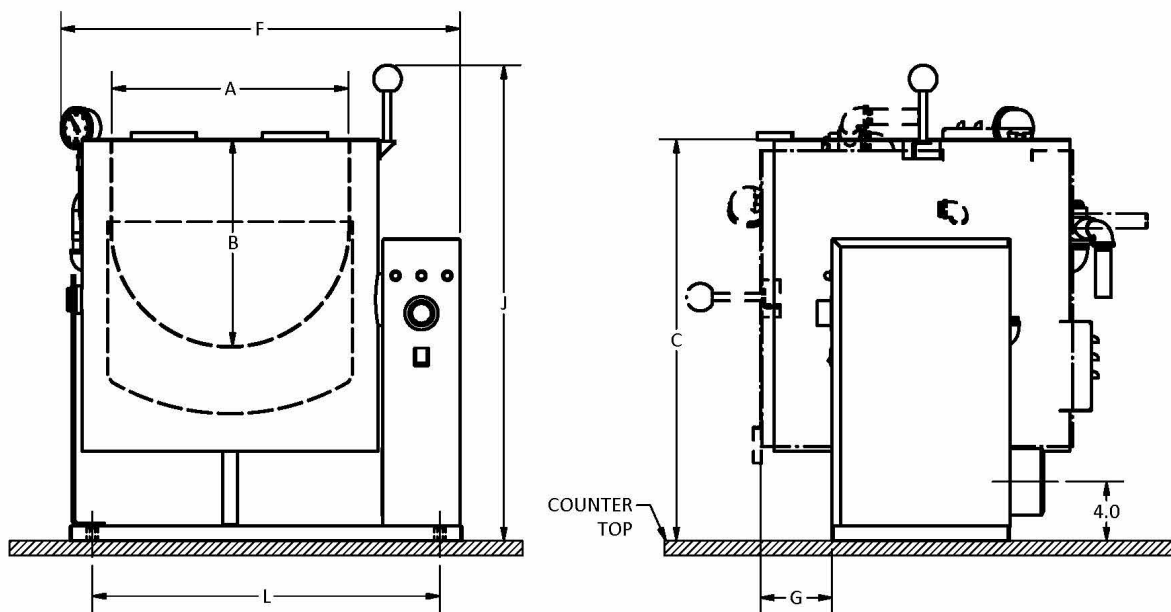
THERMA TILT
Model
TT-TT2/3J-T-E

Electric, 2/3 Jacketed Insulated
for Safety™ Deep Drawn
Construction Tilting, Table-Top
Mounted Made in USA

Insulated Self-Contained Kettle



DRAWING REPRESENTS MODEL
TEH-40



MODEL TT-TT2/3J-T-E DIMENSIONS									
QTS	A	B	C	D	F	G	J	L	W
20	14.0	9.9	27.2	11.0	26.5	4.8	32.2	23.5	11.6
40	16.0	14.0	27.2	11.0	27.0	4.8	32.2	23.5	12.6

MODEL TT-TT2/3J-T-E ELECTRICAL SPECIFICATIONS (Amperes per Leg)													
QTS.	KW	208 Volt		240 Volt		380 Volt		415 Volt		440 Volt		480 Volt	
		1Ø	3Ø	1Ø	3Ø	1Ø	3Ø	1Ø	3Ø	1Ø	3Ø	1Ø	3Ø
20	6	21.7	12.5	25.0	14.4	15.8	9.1	14.5	8.3	11.5	6.6	12.5	7.2
40	12	43.3	25.0	50.0	28.9	31.6	18.2	28.9	16.7	22.9	13.2	25.0	14.4