

INSULATED CHILLTEMP® CORRECTIONAL REFRIGERATED CABINET MODEL R-171-SUA-10E-Z

FEATURES AND BENEFITS:

- Fully insulated mobile ChillTemp® refrigerated cabinet for holding food and beverages at serving temperature.
- Forced air system provides even distribution of cold air; cabinet maintains temperatures from 33°F (.5° C) to 40°F (4.5° C). Automatically defrosts.
- 1/3 horsepower compressor with automatic overload reset. R134a refrigerant for environmental compatibility.
- Stainless steel and locking Lexan security panel protects controls.
- Stainless steel construction throughout for ease of cleaning. One piece extended base protects cabinet body.
- Recessed push/pull handles on both sides prevent damage to walls; allows easy maneuvering.
- Insulated door with key lock latches prevent temperature loss. Magnetic door gaskets for proper seal.
- Standard with right hand hinging; left hand hinging available upon request. Door swings 270° on 11 ga. stainless steel hinges.
- Generous 18-cubic foot interior.
- Ten sets of stainless steel universal angles riveted to posts to accommodate 18 x 26" or 12 x 20" pans.
- Heavy duty 5" swivel casters, two with brakes. Provides mobility when fully loaded.



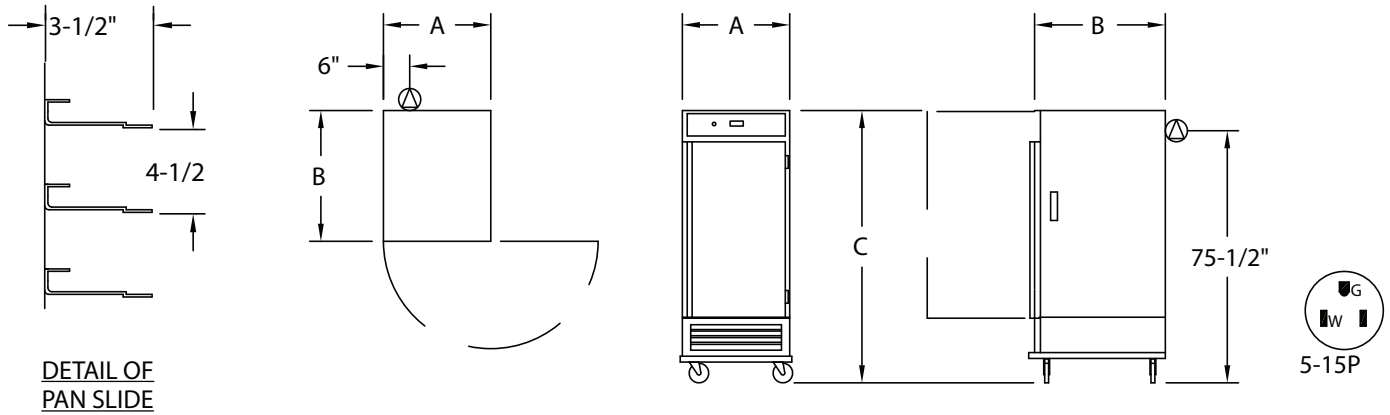
R-171-SUA-10E-Z



ACCESSORIES and OPTIONS (Available at extra cost):

- Corner Bumpers
 - Polyurethane Casters
 - 240 Volt Service
 - Digital Thermometer
 - Interior for (28) 18" x 26" pans
- See page K-2 for accessory details.

R-171-SUA-10E-Z



DETAIL OF
PAN SLIDE

CRES COR MODEL NO.	PAN			DIM "A"	DIM "B"	DIM "C"	INSIDE DIMENSIONS				WEIGHT ACT.
	CAP/ ANGLES	SIZE		WIDTH	DEPTH	HEIGHT	WIDTH	DEPTH	HEIGHT		
R-171-SUA-10Z	10	18 X 26	IN	28-5/16	37-3/8	76	23-1/2	29-3/4	47-3/8	LBS	375
			MM	719	949	1929	597	755	1203	KG	171
	20	12 X 20									

NOTES: 1. When ordering bumpers, add 2" to overall dimensions.
ALL EXPOSED FASTENERS ARE TAMPER PROOF.

CABINET:

- Body: 22 ga. stainless steel.
- Reinforcement: Internal framework of 16 ga. stainless steel.
- Insulation: Fiberglass, thermal conductivity (K factor) is .23 at 75°F. 1-1/2" in doors, base, top; 2" in sidewalls.
- Push/pull handles (2): 5" vertical; recessed.
- Interior coved corners.

BASE:

- One piece construction, .125 aluminum.
- Casters: 5" dia., swivel, modulus tires, 1-1/4 wide, load cap. 250 lbs. each, temp. range -45°/+180°F. Delrin bearings. Front casters equipped with brakes.

DOOR:

- Field reversible.
- Formed 22 ga. stainless steel.
- Latch: Chrome plated zinc; magnetic type with key lock handles.
- Hinges: 11 ga. stainless steel.
- Gasket: Perimeter type, magnetic Santoprene.
- Pan stop: Embossed.

PAN SLIDES:

- 16 ga. stainless steel universal angles riveted to posts on 4-1/2" centers.
- Removable with tools.

ELECTRICAL COMPONENTS:

- **Security Panel:** 18 ga. stainless steel with 3/16" polycarbonate window and key lock.
- Digital Thermostat: Pre-set to 38°F (3.3°C).
- Pilot light.
- Power switch.
- Power cord: Permanent, 10 ft., 14/3 ga. with molded plug.
- Compressor: 1/3 h.p.
- Condensate evaporator: Electrical.
- R134a refrigerant.

POWER REQUIREMENTS:

- 120 Volts, 60 Hz., single phase, 15 Amp. service.

SHORT FORM SPECIFICATIONS

Cres Cor Correctional Refrigerated Cabinet Model R-171-SUA-10E-Z. Cabinet 22 ga. stainless steel; stainless steel internal frame. (10) sets of stainless steel universal angles for multiple pan sizes on 4-1/2" centers. Field reversible door, 22 ga. stainless steel. All exposed fasteners are tamper proof. Foam insulation in sides and doors. Interior coved corners. 1/3 h.p. compressor, 120 Volts. One piece insulated base, .125 aluminum. 5" swivel casters, Delrin bearings. Load capacity 250 lbs. each. 1-Year Parts / 90-Day Labor warranty. Provide the following accessories: _____ CSA-US/C, CSA to NSF7 listed.



5925 Heisley Road • Mentor, OH 44060-1833
Phone: 877/CRESCOR • Fax: 440/350-7267
www.crescor.com

© Crescent Metal Products, Inc. 2017 All rights reserved.

In line with its policy to continually improve its products, CRES COR reserves the right to change materials and specifications without notice.

Litho in U.S.A.