

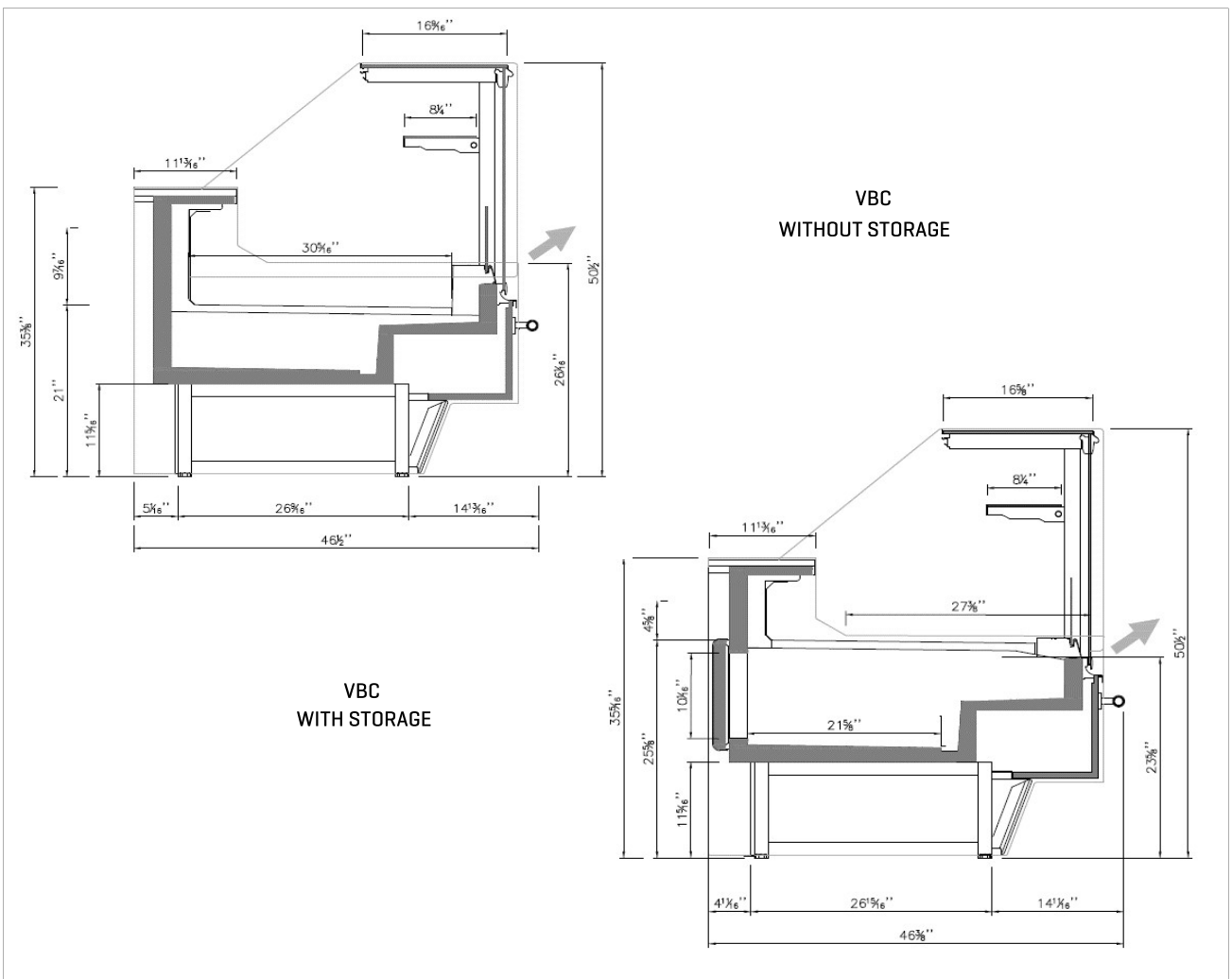
# Data Sheet

*Model:*

VBC\_RCP\_SCP



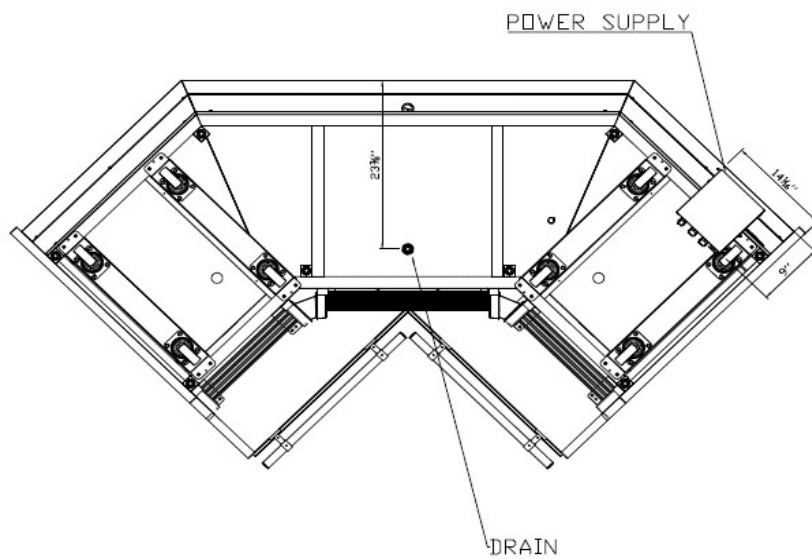
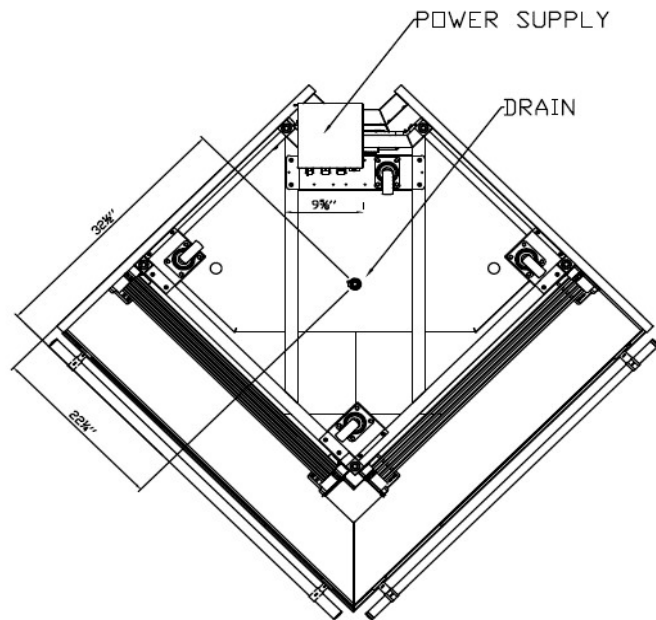
VBC\_AAR\_ACR



GENERAL DATA

	MODEL	
	VBC90 AAR RCP/SCP	VBC90 ACR RCP/SCP
	M1	M1
SIDES PANES THICKNESS (in)	1 3/16	
NUMBER OF DOORS	1	1
CONTROLLER	DIGITAL	
CAPACITY (Ft <sup>3</sup> )	69,5	99
UNIT WEIGHT (Lbs)	496	443
CRATED DIMENSIONS (in)	104 3/4 x 47 1/4 x 59 1/16	76 15/16 x 47 1/4 x 59 1/16

INSTALLATION DETAILS



## TECHNICAL CONFIGURATION

		Temp. Range [32°F - 42°F]
INTERIOR TEMPERATURE	SET POINT	35,6°F
	DIFFERENTIAL	39,2 °F
DEFROST TYPE		NATURAL
NUMBER OF DEFROSTS / 24h		4
END DEFROST TEMPERATURE		46,4°F
MAXIMUM DEFROST TIME		30'

In compliance with UL471 and NSF7

Ambient Temp.	Relative Humidity
+72 °F	55%

EVAPORATION	FORCED AIR
CONDENSATION	FORCED AIR
CONDENSATE TRAY HEATER	AUX.

VOLTAGE	115 V/60 Hz
NOISE LEVEL	63dB

## INSTALLATION DATA

BASE EQUIPMENT Length (in)	MODEL		
		VBC90 AAR RCP/SCP	VBC90 ACR RCP/SCP
COMPRESSOR	N°	1	1
	Btu/h	2426	2386
	A	9,61	8,17
REFRIGERANT	Type	R - 404a	
	lb	1,21	1,21
EVAPORATOR FANS	N°	1	2
	Btu/h	15,36	15,36
	A	0,8	0,8
CONDENSER FANS	N°	2	2
	Btu/h	123	123
	A	0,25	0,25
CANOPY LIGHTING	Btu/h	408	415
	A	1,04	1,06
REFRIGERATION POWER	Btu/h	3095	3078
	A	11,95	11,33
ENERGY CONSUMPTION		44573	44319