



- Distinctive spun metal style – adds a classic touch.
- The draft tower is a marketing tool, not just a bar fixture.
- Commanding presence on the bar top.
- All stainless steel contact with the beer for the ultimate in draft purity.



Stainless Steel
MTB-5PSSKR



Brass
MTB-5BRKR

Features



Certified by the National Sanitation Foundation.



Stainless Steel beer contact for the pure taste of fresh draft beer.




The integrated Kool-Rite module provides optimum cooling at the point of dispense. Modular construction makes the installation process as simple as PLUG "N" POUR.

Specifications

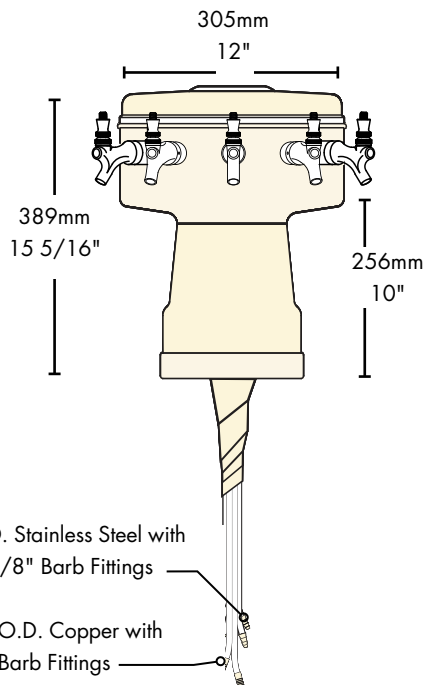
Micro Matic reserves the right to change specifications without notice.

AUTOQUOTES

Part No.	Faucets	Finish	Dispense System	Shipping Weight	Box Dimensions
<input type="checkbox"/> MTB-5PSSKR*	5	Polished S/S	Kool-Rite (Glycol)	15 kg 34 lbs	1245mm L x 610mm W x 356mm H 40"L x 24"W x 21"L
<input type="checkbox"/> MTB-5BRKR*	5	Brass	Kool-Rite (Glycol)	15 kg 34 lbs	1245mm L x 610mm W x 356mm H 40"L x 24"W x 21"L

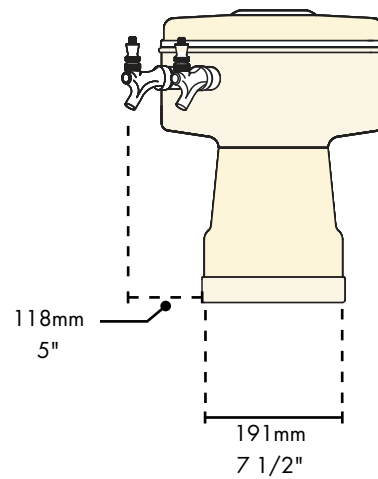
 Certified

Dimensions

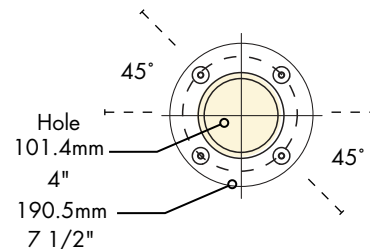
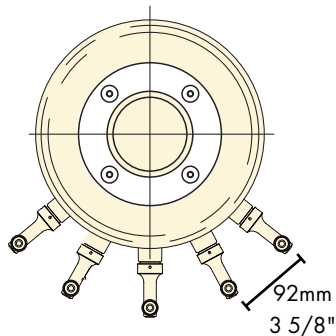


BEER: 1/4" O.D. Stainless Steel with 5/16" - 3/8" Barb Fittings

GLYCOL: 3/8" O.D. Copper with 3/8" Barb Fittings



Mounting Guide



Copyright ©2011 Micro Matic USA, Inc. All Rights Reserved.

00173.D1008



www.micromatic.com

Toll Free: 1-(866) 327-4159

West	Central	Southeast	Northeast
19791 Bahama Street Northridge, CA 91324 Tel. (818) 701-9765 Fax. (818) 701-9844	10726 North Second Street Machesney Park, IL 61115 Tel. (815) 968-7557 Fax. (815) 968-0363	2364 Simon Court Brooksville, FL 34604 Tel. (352) 799-6331 Fax. (352) 796-2429	4601 Saucon Creek Road Center Valley, PA 18034 Tel. (610) 625-4464 Fax. (610) 625-4466