



YOU CAN TRUST

## MEAT GRINDERS

PSE-32HD / PSE-32HD SS



### STANDARD FEATURES

Powered by a 3 HP motor, these table top # 32 Meat Grinders are recommended for large sized markets, butcher shops, restaurants and meat processing applications.

PSE-32HD comes with a tinned cast iron grinding device and PSE-32HD SS with a stainless steel one.

Gears and shafts mounted on ball bearings are fully enclosed in the transmission box assuring a smooth and quiet operation.

Stainless steel motor housing and legs resist rusting. Non-slid rubber feet.

Large stainless steel pan with guarded feed throat for a safe and fast feeding.

Comes standard with one knife, two plates, 1/8" and 3/16", and a feed stomper.

Safety device disconnects power when pan is removed.

ETL Listed and ETL Sanitation Listed (Conforms to NSF 8, UL 763 and CSA Std. C22.2 No. 195).



#### PSE-32HD

#32 HEAVY DUTY MEAT GRINDER  
CAST IRON CYLINDER



#### PSE-32HD

#32 HEAVY DUTY MEAT GRINDER  
STAINLESS STEEL CYLINDER

ILLUSTRATIVE PHOTO, ACTUAL PRODUCTS AND ACCESSORIES ARE SUBJECT TO CHANGE WITHOUT NOTICE.



**Skyfood Equipment LLC**  
175 SW 7th Street, Ste 2416  
Miami, FL 33130

**Toll Free:**  
1-800-503-7534  
sales@skyfood.us

[www.skyfood.us](http://www.skyfood.us)



Follow us to keep up to date with the latest news and offers

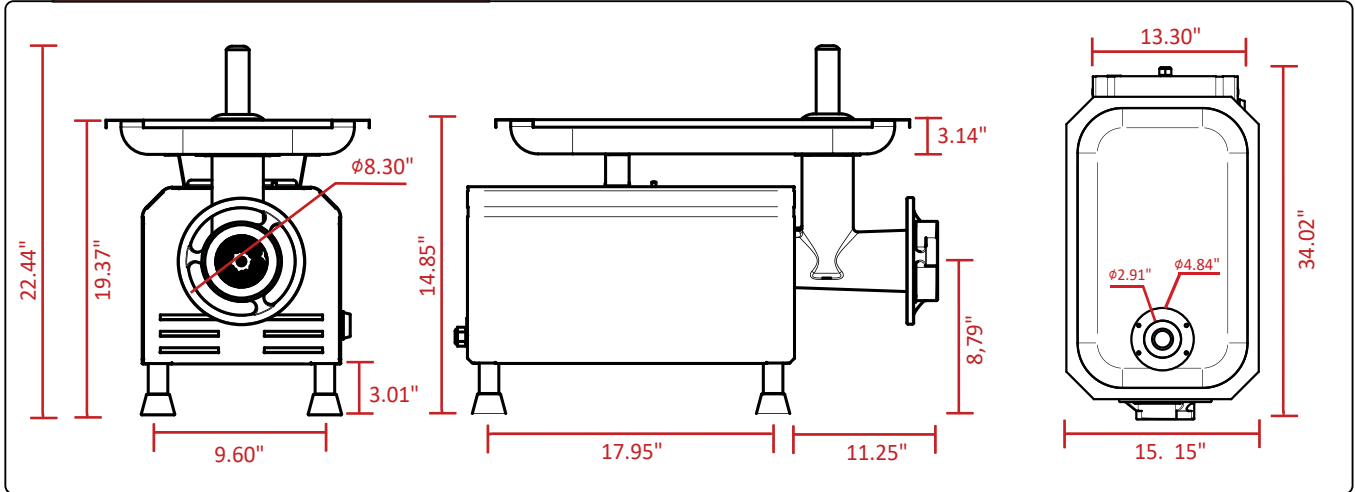
/SkyfoodEquipment

/SkyfoodEquipment

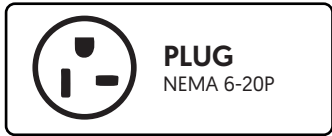
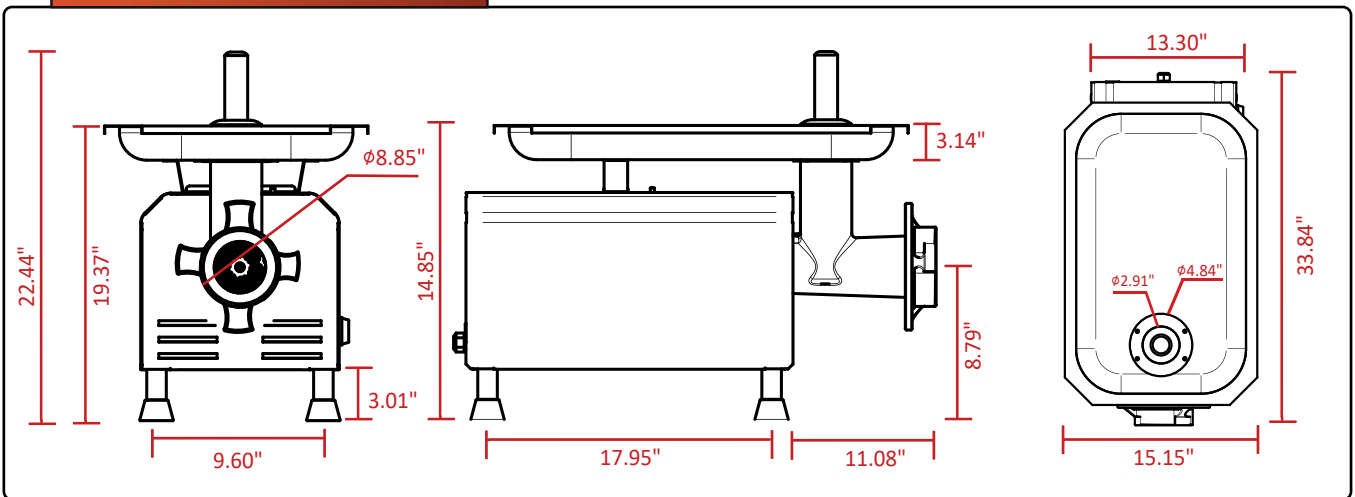
/SkyfoodEquipment



**DIMENSIONS / PSE-32HD**



**DIMENSIONS / PSE-32HD SS**



**WARRANTY 01 YEAR PARTS AND LABOR VALID IN THE CONTINENTAL UNITED STATES.**

Item	Voltage	Power Rating	Amps	Dimensions (W x D x H)	Weight (Net x Ship)	Tray Dimensions (W x D x H)	Production	PLUG
PSE-32HD	220 V	3 HP	15.5	15 3/8" x 31 1/2" x 19"	125 lb x 125 lb	13 3/8" x 22" x 2 3/8"	990 lb/h	NEMA 6-20P
PSE-32HD SS	220 V	3 HP	15.5	15 3/8" x 31 1/2" x 19"	125 lb x 125 lb	13 3/8" x 22" x 2 3/8"	990 lb/h	NEMA 6-20P



**Skyfood Equipment LLC**  
175 SW 7th Street, Ste 2416  
Miami, FL 33130

**Toll Free:**  
1-800-503-7534  
sales@skyfood.us

[www.skyfood.us](http://www.skyfood.us)



ILLUSTRATIVE PHOTO, ACTUAL PRODUCTS AND ACCESSORIES ARE SUBJECT TO CHANGE WITHOUT NOTICE.