

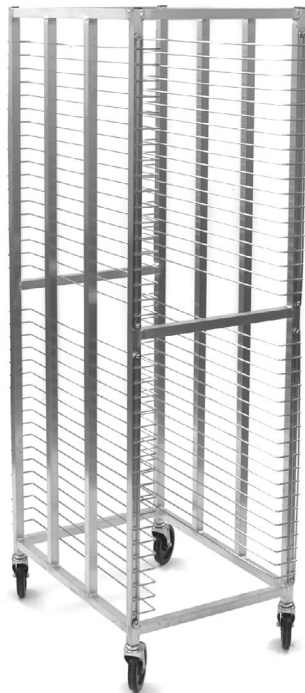


Profit from the Eagle Advantage®

Specification Sheet

Short Form Specifications

Eagle Panco® (Front Load, Side Load) Wire Pan Rack, model _____ . All-welded aluminum construction with 1" square tubular frame and supports. Chrome-plated wire racks accommodate 36 pans at 1½" spacing. Furnished with 5"-diameter casters. Shipped assembled.



wire pan rack
model# WPR-FL-36

Options / Accessories

- Casters with locking brakes
- Rotary bumpers
- Perimeter bumpers
- Verticle corner bumpers
- Pan stop

EAGLE GROUP

100 Industrial Boulevard, Clayton, DE 19938-8903 USA
 Phone: 302-653-3000 • 800-441-8440 • Fax: 302-653-2065
www.eaglegrp.com
www.eaglegrpnews.com
www.eaglegrp.com

For custom configuration or fabrication needs, contact our **SpecFAB®** Division.
 Phone: 302-653-3000 • Fax: 302-653-2065 • e-mail: quotes@eaglegrp.com

Item No.:	_____
Project No.:	_____
S.I.S. No.:	_____

Panco® Wire Pan Racks

MODELS:

- WPR-FL-36
- WPR-SL-36

Design and Construction Features

- Heavy duty welded all-aluminum construction.
- Frame and supports: 1" (25mm) square aluminum tubing.
- Wire racks: 6 gauge nickel chrome-plated mild steel.
- Casters: 5" (127mm)-diameter non-marking swivel stem casters with polymer tread.
- Front load and side load models available.
- Shipped assembled.

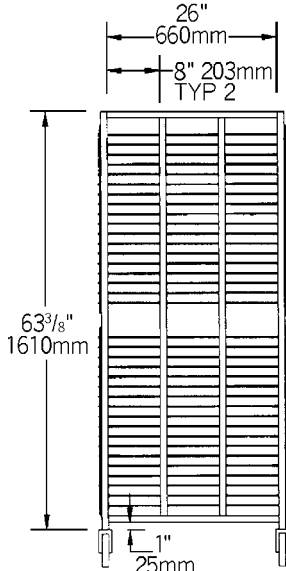
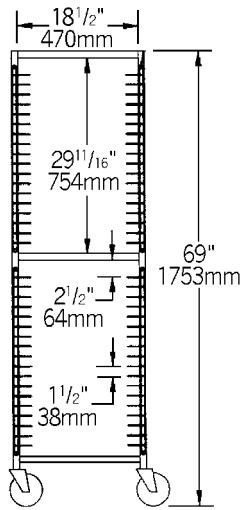
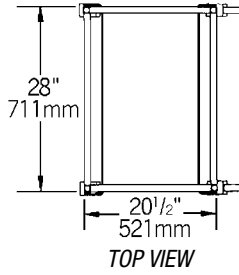




Item No.: _____
 Project No.: _____
 S.I.S. No.: _____

Panco® Wire Pan Racks

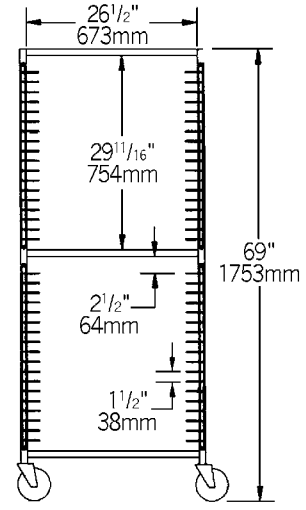
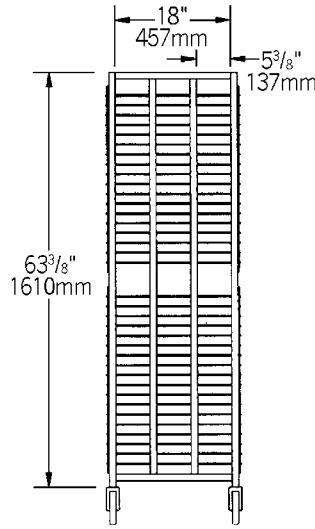
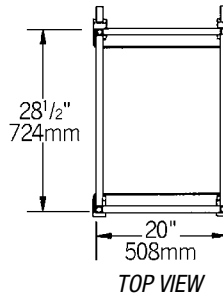
Front load model
 (#WPR-FL-36)



FRONT VIEW

SIDE VIEW

Side load model
 (#WPR-SL-36)



FRONT VIEW

SIDE VIEW

model #	description	overall dimensions						sliding space		pan capacity	weight	
		width in.	width mm	depth in.	depth mm	height in.	height mm	in.	mm		lbs.	kg
WPR-FL-36	front load	20 1/2"	521	28"	711	69"	1753	1 1/2"	38	36	64	29.0
WPR-SL-36	side load	20"	508	28 1/2"	724	69"	1753	1 1/2"	38	36	64	29.0

EAGLE GROUP
 100 Industrial Boulevard, Clayton, DE 19938-8903 USA
 Phone: 302-653-3000 or 800-441-8440 • Fax: 302-653-2065
 www.eaglegrp.com • www.eaglegrpnews.com • www.eaglehmc.com

Printed in U.S.A.
 ©2023 by Eagle Group

Rev. 08/23

Spec sheets available for viewing, printing or downloading from our online literature library at our websites

Although every attempt has been made to ensure the accuracy of the information provided, we cannot be held responsible for typographical or printing errors. Information and specifications are subject to change without notice. Please confirm at time of order.