



**FOOD EQUIPMENT**

*SERVING THE FOOD INDUSTRY SINCE 1951*

# 3560 W COUNTERTOP ELECTRIC GRIDDLE

ITEM: 43213 | MODEL: CE-CN-0613

## OMCAN'S COUNTERTOP ELECTRIC GRIDDLE

*is made up of heavy-duty stainless steel construction that is suitable for commercial use. Designed to be safe and energy efficient.*

*Features independent thermostat controls for convenient use, and high efficiency stainless steel heating element.*



Authorized Dealer



**WARRANTY**  
PARTS AND LABOR



# FOOD EQUIPMENT

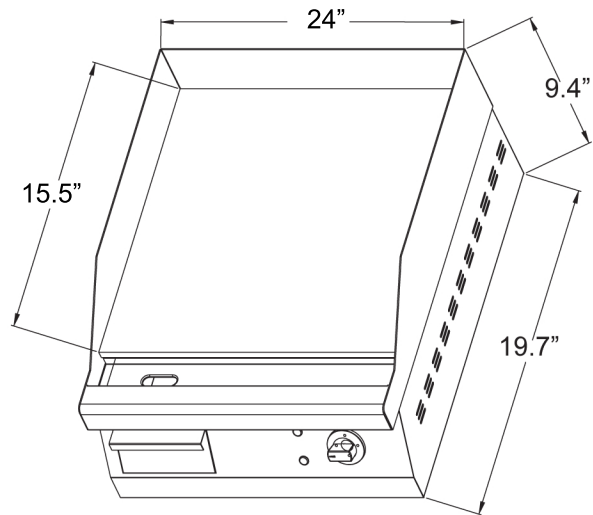
3560 W COUNTERTOP ELECTRIC GRIDDLE CE-CN-0613



## TECHNICAL SPECIFICATIONS

ITEM NUMBER	43213
MODEL	CE-CN-0613
POWER	3560 W
TEMPERATURE	65° - 300°C / 150° - 570°F
COOKING AREA (WD)	24" x 15.5" / 610 x 394 mm
ELECTRICAL	220V/60/1Ph
WEIGHT	36 kg. / 79.4 lbs.
PACKAGING WEIGHT	41.4 kg. / 91.3 lbs.
DIMENSION (DWH)	19.7" x 24.1" x 9.4" / 502 x 612 x 234 mm
PACKAGING DIMENSIONS	22.9" x 28.5" x 13" / 724 x 582 x 330 mm

## TECHNICAL DRAWING AND DIMENSIONS



## FEATURES

- Commercial heavy-duty stainless steel construction
- Quick heating and large cooking area
- Top and bottom double welding technology
- High efficiency stainless steel heating element
- Thick steel cooking plate, high heat retention and even heating
- Stainless steel control knobs
- Large removable grease tray
- Extra steel splash-guard inside and back for protection against grease and spills
- Power and heating lights
- High output, high efficient and energy saving



**WARRANTY**  
PARTS AND LABOR



NEMA  
5 - 20  
125 VAC / 20 AMP  
RECEPTACLE



## OMCAN INC.

Telephone: 1-800-465-0234

Fax: (905) 607-0234

Email: sales@omcan.com

Website: www.omcan.com



Follow us to keep up to date with the latest news and offers



2018.E.O.E