



www.BakeMax.com

Project: _____

Item: _____

Qty: _____ Date: _____

BakeMax BMBPD125 Gas Pizza Stone Hearth Deck Oven

The BakeMax Single Deck Ovens are reliable and versatile solutions designed for professional baking applications. Each oven chamber features independently controlled top and bottom heat for perfectly balanced results. This series is constructed with heavy duty angle iron frame, which is fully welded to allow for double stacking. Oven exteriors are all heavy-duty stainless steel and are fully insulated for cooler outer temperatures and consistent interior temperatures.



Features:

- Oven exteriors are all heavy-duty stainless steel and are fully insulated for cooler outer temperatures and consistent interior temperatures
- This series is constructed with heavy duty angle iron frame, which is fully welded to allow for double stacking
- Each oven chamber features refractory baking deck with an 8" deck height and independently controlled top and bottom heat for perfectly balanced results
- Temperature Range of 0-752°F
- Spring-balanced, fully insulated doors.
- Oven Inner Dimensions: 48" W x 36" D
- Combination gas controls with gas valve, gas regulator, and pilot safety.
- Independently controlled top and bottom heat dampers.
- Heavy duty, slide-out flame diverters
- Left-side or rear 3/4" (19mm) NPT gas connection.
- Heavy duty, slide-out flame diverters
- 19kW / 65,000 BTU per Deck
- Natural Gas or LP Gas with Thermostatic Temperature Controls
- 1-Year Limited Warranty



Product Specifications:

- Product Dimensions (WDH): 66.4" x 48" x 62"
- Product Weight: 1213 lbs.

Shipping Specifications:

- Shipping Dimensions (WDH): 69" x 50" x 29"
- Shipping Weight: 1345 lbs.

BakeMax® / Titan Ventures International Inc.

Warehouses:

20 Caribou St, Moncton, NB E1H 0P3

5705 Valley Belt Rd Independence, OH 44131

1201 E 27th Terrace Pittsburg, KS 66762

Toll Free: 1-800-565-BAKE (2253)

Phone: 506-858-8990

Fax: 506- 859-6929

Email: Sales@BakeMax.com



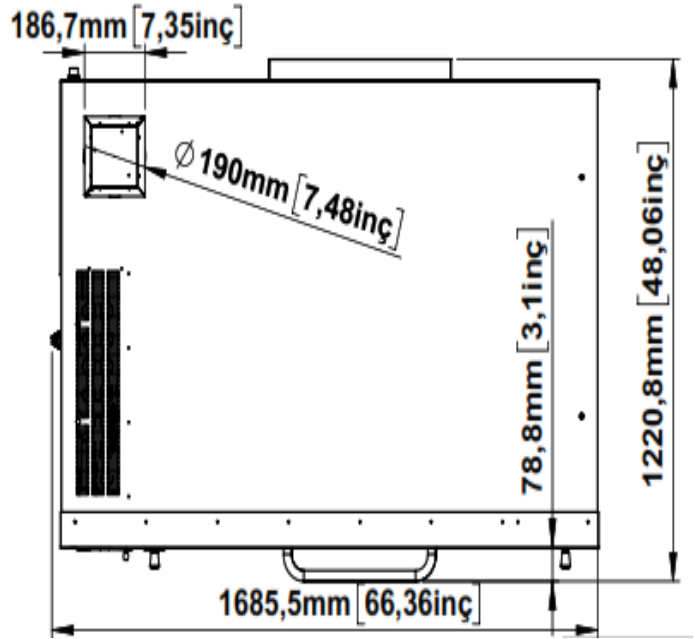
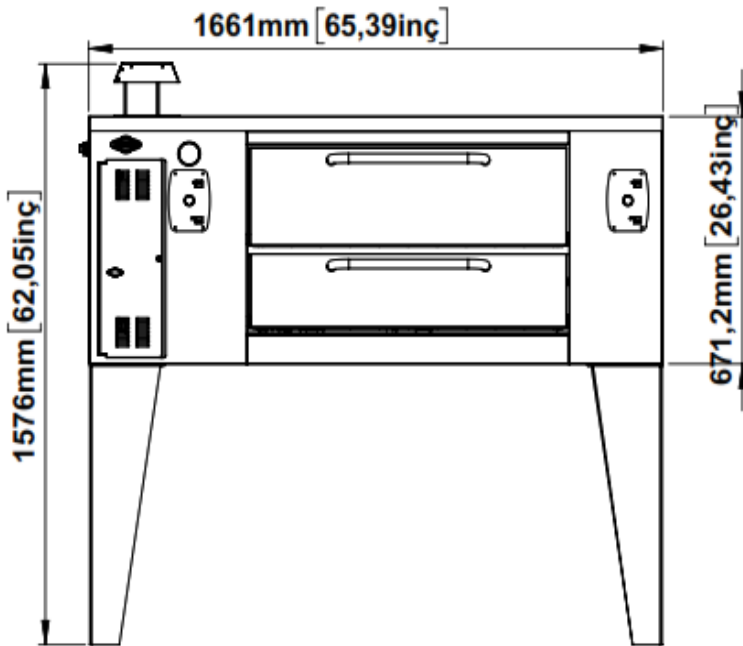
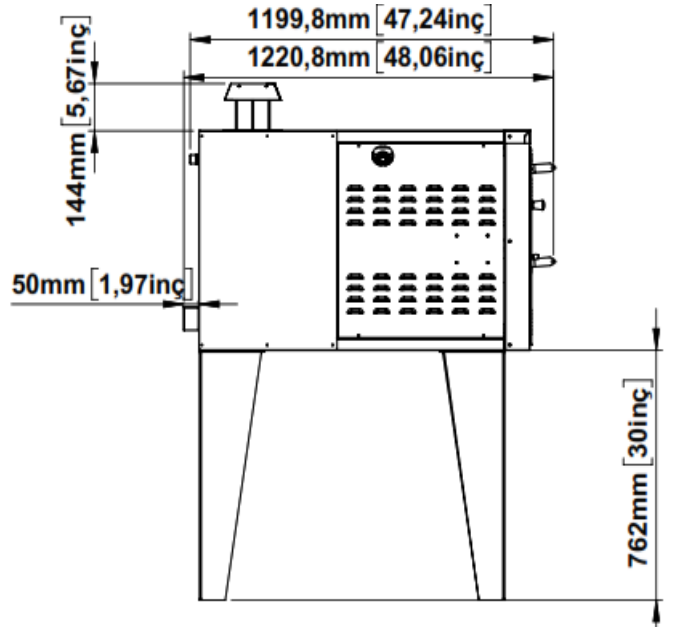
www.BakeMax.com

Project: _____

Item: _____

Qty: _____ Date: _____




BakeMax BMBPD125 Gas Pizza Stone Hearth Deck Oven



*Due to continuous product improvement, specifications are subject to change without notice.

BakeMax® / Titan Ventures International Inc.

Warehouses:

20 Caribou St, Moncton, NB E1H 0P3 
5705 Valley Belt Rd Independence, OH 44131 
1201 E 27th Terrace Pittsburg, KS 66762 

Toll Free: 1-800-565-BAKE (2253)
Phone: 506-858-8990
Fax: 506- 859-6929
Email: Sales@BakeMax.com