



FOOD EQUIPMENT

SERVING THE FOOD INDUSTRY SINCE 1951

STAINLESS STEEL GRIDDLE

ITEM: 34869 MODEL: CE-CN-3000

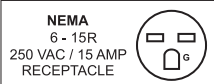


**GET YOUR MEALS COOKING
AND TASTING GREAT IN NO TIME**

*Cook pancakes, eggs, bacon, hash browns
and all of your favorite meals with Omcan's CE-CN-3000
Stainless Steel Griddle. Made up of stainless steel to
ensure durability. Designed to be safe and energy efficient.*



WARRANTY
PARTS AND LABOR



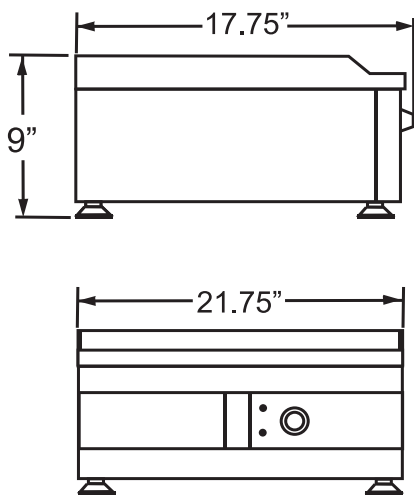
Authorized Dealer

FOOD EQUIPMENT

STAINLESS STEEL GRIDDLE CE-CN-3000 / 34869



TECHNICAL DRAWING AND DIMENSIONS

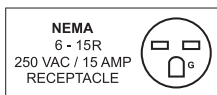


FEATURES

- Perfect for restaurants, hotels, etc.
- Stainless steel body with iron griddle
- Flat plate is made of high efficient cast iron
- Heavy duty heating element
- Has temperature control function.
- Temperature Range: 0°C - 300°C / 32°F - 572°F

TECHNICAL SPECIFICATIONS

ITEM NUMBER	34869
MODEL	CE-CN-3000
POWER	3 kW
TEMPERATURE RANGE	0°C - 300°C / 32°F - 572°F
COOKING AREA	21.75" x 13.75" / 552 x 349 mm
ELECTRICAL	220V / 60Hz / 1Ph
WEIGHT	23 kg. / 50.75 lbs.
DIMENSIONS (DWH)	17.75" x 21.75" x 9" / 451 x 552 x 229 mm



OMCAN INC.

Telephone: 1-800-465-0234

Fax: (905) 607-0234

Email: sales@omcan.com

Website: www.omcan.com



Follow us to keep up to date with the latest news and offers



2018.E.O.E