



SERVING THE FOOD INDUSTRY SINCE 1951

48" (1219mm) Gas Griddle with 4 Burners 120,000 BTU

ITEM: 48519
MODEL: CE-CN-G48-M



Adjustable Countertop Griddle to Meet any Commercial Demand

Adjustable griddle that can be made to line up at even height for great appearance and convenience in any kitchen. With robust construction, continuous output and operator friendly controls, this appliance will meet your every demand.

FEATURES:

- 3/4" Griddle plate with standing pilots
- Cool to the touch front S/S edge
- All stainless steel cabinet
- Splash guards fully welded
- Adjustable stainless steel non-skid feet
- Easily removed grease drawer
- Liquid propane conversion kit included

Telephone: 1-800-465-0234

Fax: (905) 607-0234

Email: sales@omcan.com

Website: www.omcan.com

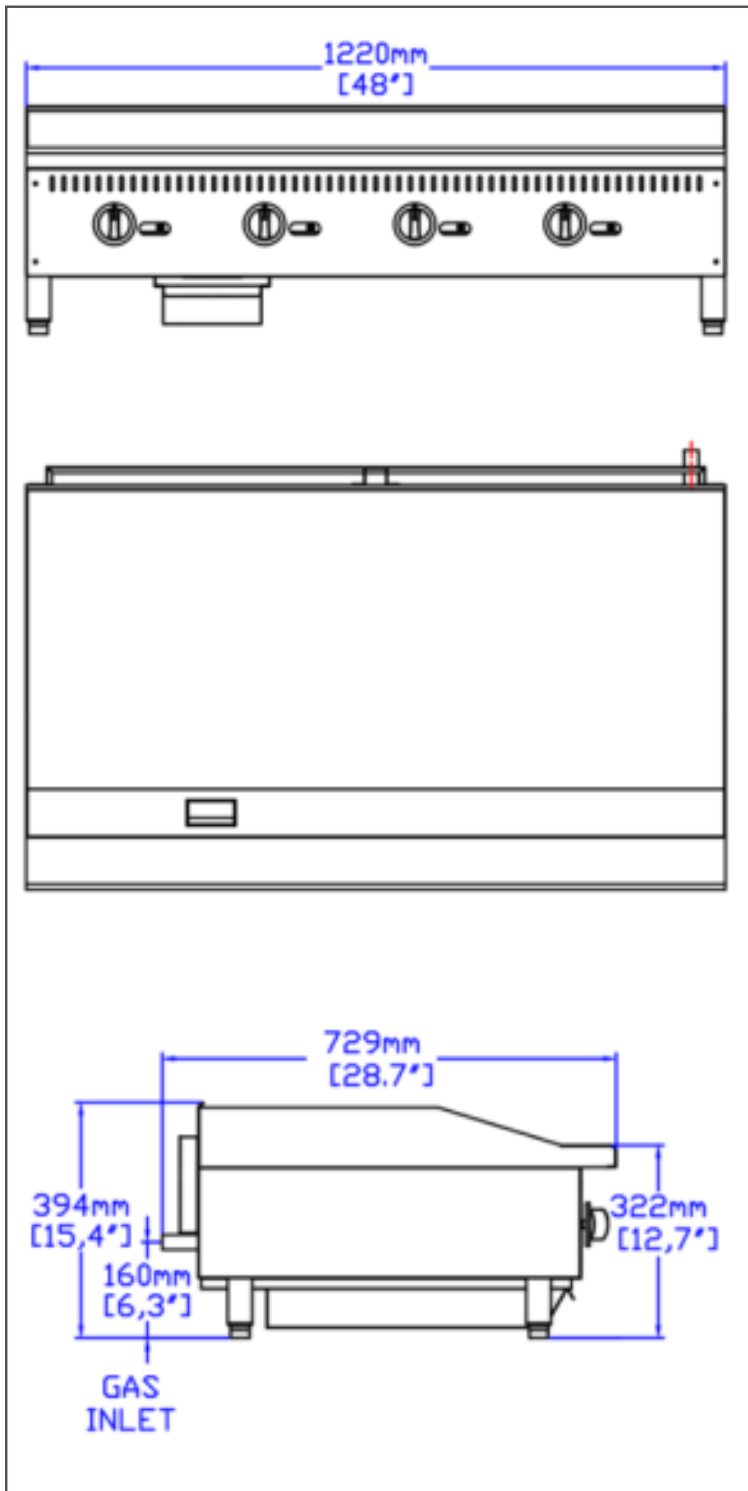


Authorized Dealer

(Version 2024.07)

Page 1 / 2

TECHNICAL DRAWING



TECHNICAL SPECIFICATION

Item	48519
Model	CE-CN-G48-M
Number of Burners	4
Gas Type	Natural Gas/ Propane
BTU	120,000
Net Dimensions (WDH)	48" x 28.7" x 15.4" (1220 x 728 x 394 mm)
Gross Dimensions (WDH)	51.25" x 33.5" x 19.25" (1300 x 850 x 490 mm)
Gross Weight	284 lb. (129 kg.)
Net Weight	361 lb. (164 kg.)

BMAD System (Low maintenance high performance). Dimensions rounded up to the nearest inch or millimeter. Specifications subject to change without notice.