

INSTRUCTION MANUAL

SANDWICH GRILL - MODEL: SSGL-10356-804

ATTENTION:

- PLEASE** read these instructions carefully before operating this appliance.
- The temperature is thermostatically controlled between the range of 50°C to 300°C (122° F to 572°F). A signal lamp adjacent to the thermostat indicates when the heating elements are energized.

IMPORTANT:

- These units are designed to operate on alternating current (A.C.) only.
- **DO NOT CONNECT TO DIRECT CURRENT (D.C.).**
- Care should be taken when operating this appliance as **HOT SURFACES** may cause burns.
- Ensure that the power supply cord does not come into contact with hot surfaces.
- Do not leave unit in operation without an attendant.
- When not in use for long period unplug the appliance.

INSTALLATION AND OPERATION:

- Check if voltage of your power system corresponds to the same specified on the machine label.
- Before using the appliance for the first time, turn the control knob to 300°C (572°F), close the lid and allow the appliance to heat for + / - 30 minutes. You will notice smoke appearing due to the internal insulation burning, which is normal.
- After 30 minutes heating, turn temperature control down to operating desired temperature, keep knob in this position until pilot light turns off, at this point the unit will be ready to be used.
- To turn off the unit turn knob completely towards left.

CLEANING PROCEDURE

- Always ensure that the appliance is disconnected from the main power supply before cleaning.
- After appliance has cooled clean cooking surface and body using only a damp cloth. Never use water jet or immerse appliance in water.
- Wipe off appliance with a dry cloth and wait at least half an hour before re-connecting to main power outlet.

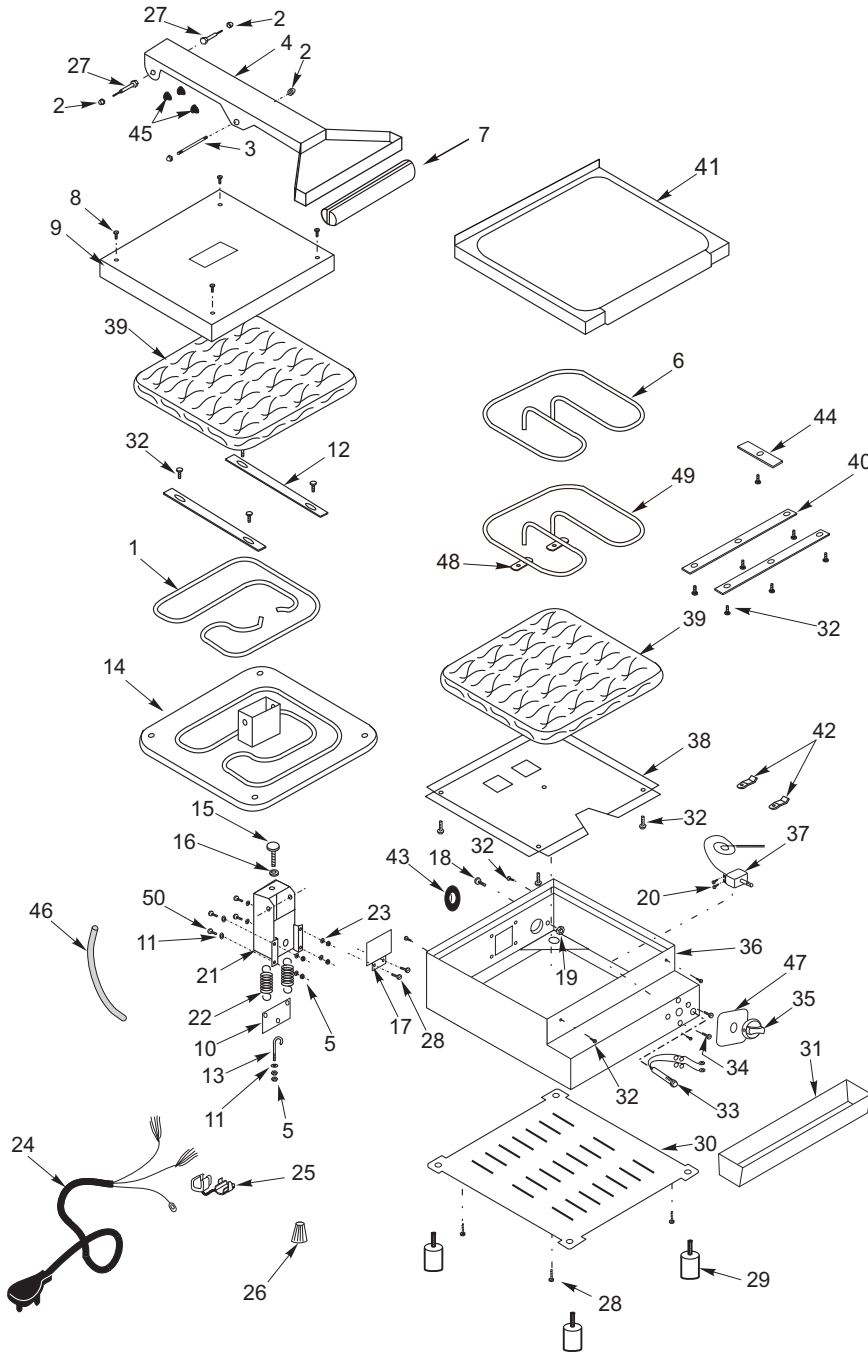
The pictures/drawings are illustrations. All data can be changed without notification.



AMERICA PARTS & TOOLS, INC

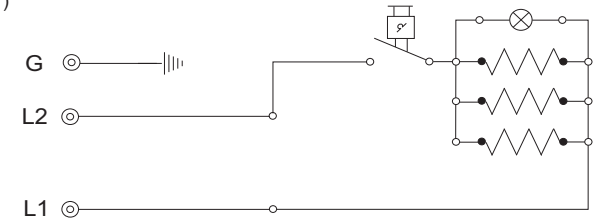
3705 NW, 115th Ave Unit 8
Doral, FL 33178
PH: +1-786-5369960
email: info@americapartstools.com

SSGL-10356-804



Item	Code	Description
1	2.034-3	Heating Element (550W)
2	621	Nut (1/4")
3	2.646-3	Shaft
4	2.479-3	Arm
5	601	Nut (1/4")
6	2.644-3	Heating Element (550W)
7	15.000-3	Handle
8	481	Screw (3/16")
9	2.648-3	Lid
10	2.654-3	Spring Support
11	642	Washer (1/4")
12	2.036-3	Heating Element Retainer
13	2.631-3	Spring Regulator
14	20.495-3	Upper Heating Plate
15	2.467-3	Lid Regulator
16	2.466-3	Regulator Locker
17	17.821-3	Plate Protector
18	385	Screw (3/16")
19	604	Nut (3/16")
20	330	Special Screw
21	2.639-3	Arm Support
22	2.044-3	Spring
23	597	Locker Washer (1/4")
24	2.082-3	Cord Connection
25	9.413-3	Cord Retainer
26	2.085-3	Wire Connector
27	15.024-3	Shaft
28	552	Screw
29	1.917-3	Foot
30	20.257-3	Bottom Cover Plate
31	2.481-3	Grease Collector
32	566	Screw
33	2.013-3	Pilot Light
34	329	Screw
35	2.009-B	Knob
36	2.480-3	Body
37	2.009-3	Thermostat
38	2.657-3	Heating Element Protection Plate
39	3.503-3	Insulation
40	16.161-3	Heating Element Retainer
41	40.017-3	Lower Heating Plate
42	2.091-3	Thermostat Bulb Retainer
43	2.007-3	Rubber Protector
44	2.659-3	Heating Element Retainer Plate
45	2.113-3	Rubber Protection
46	2.604-3	Protection Sleeve
47	1.343-3	Plate
48	2.039-3	Heating Element Connection
49	2.643-3	Heating Element (450W)
50	332	Screw (1/4")

Wiring Diagram



Technical Data

SSGL-10356-804	
Voltage (V)	120
Power (W)	1550
Amperage (A)	12,2
Weight (kg/lbs)	21/46,2
Dimension WxHxD (cm/in)	43,5/17,2 x 38/15 x 61,5/24,3