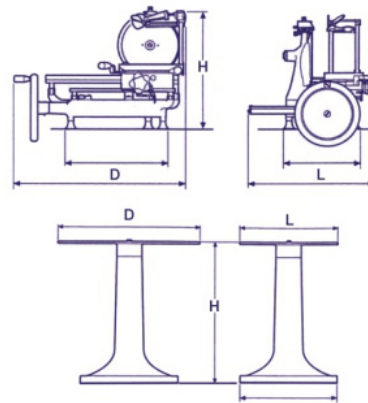






- Fully manufactured in anodized aluminum with steel parts and baked enamel.
- Manually operated – no electricity needed
- 9 positions for knob adjustment to cut slices from 0 – 3/32" thickness
- Built-in sharpener, produces a consistently sharp knife edge



300 VOLANO

*Shown with optional F300-Stand

SPECIFICATIONS		
	300 VOLANO	350 VOLANO
Blade	12"	14"
Cut thickness	0 to 3/32"	0 to 3/32"
Slicing capacity	 9 x 7.5"	 10.6 x 9.5"
Slicer Net Weight	100 Lbs	180 Lbs
Slicer Dimensions	13.3 (L) x 15.75" (D) x 29"(H)	15.75 (L) x 25.5" (D) x 31.5"(H)
Slicer Shipping Weight	104 Lbs	200 Lbs
Slicer Shipping Dimensions	33 x 37 x 33"	33 x 37 x 33"
Stand Net Weight	130 Lbs	130 Lbs
Stand Dimension	33 x 37 x 33"	33 x 37 x 33"
Stand Shipping Weight	104 Lbs	200 Lbs
Stand Shipping Dimension	13.3 (L) x 15.75" (D) x 29" (H)	15.75 (L) x 25.5" (D) x 31.5" (H)