



STANDARD FEATURES

The SKYFOOD Planetary Mixer SMM30 is a great addition to any commercial kitchen looking for versatility and medium-volume mixing. Designed for medium to heavy duty applications. Its 100% gear-driven transmission and overrated 3-speed 2 1/2 HP motor allow you to mix anything from whipped cream to cookie dough with confidence.

Includes stainless steel wire whip, cast aluminum dough beater and dough hook which can be selected to mix various kinds of foods. On the front, the No. 12 hub can be used with meat grinder and vegetable slicer attachments that are sold separately.

A 60-minute timer gives you flexibility to do something else while the mixer is working for you. For safety, this mixer is equipped with a bowl guard which stops the motor when opened or when the bowl is lowered. The bowl and its removable safety guard are made of stainless steel.

Large start and stop push buttons are quickly accessible and make it easy to operate the mixer.

This is a perfect floor model unit to complement your essential kitchen tools.

Conforms to the following Standards: ETL electrical and sanitation (under UL, CSA and NSF Standards).



SMM30
30 qt Planetary Mixer

ILLUSTRATIVE PHOTO. ACTUAL PRODUCTS AND ACCESSORIES ARE SUBJECT TO CHANGE WITHOUT NOTICE.



Skyfood Equipment LLC
175 SW 7th Street, Ste 2416
Miami, FL 33130 - 2992

Toll Free:
1-800-503-7534
sales@skyfood.us

www.skyfood.us

AutoQuotes

beedash





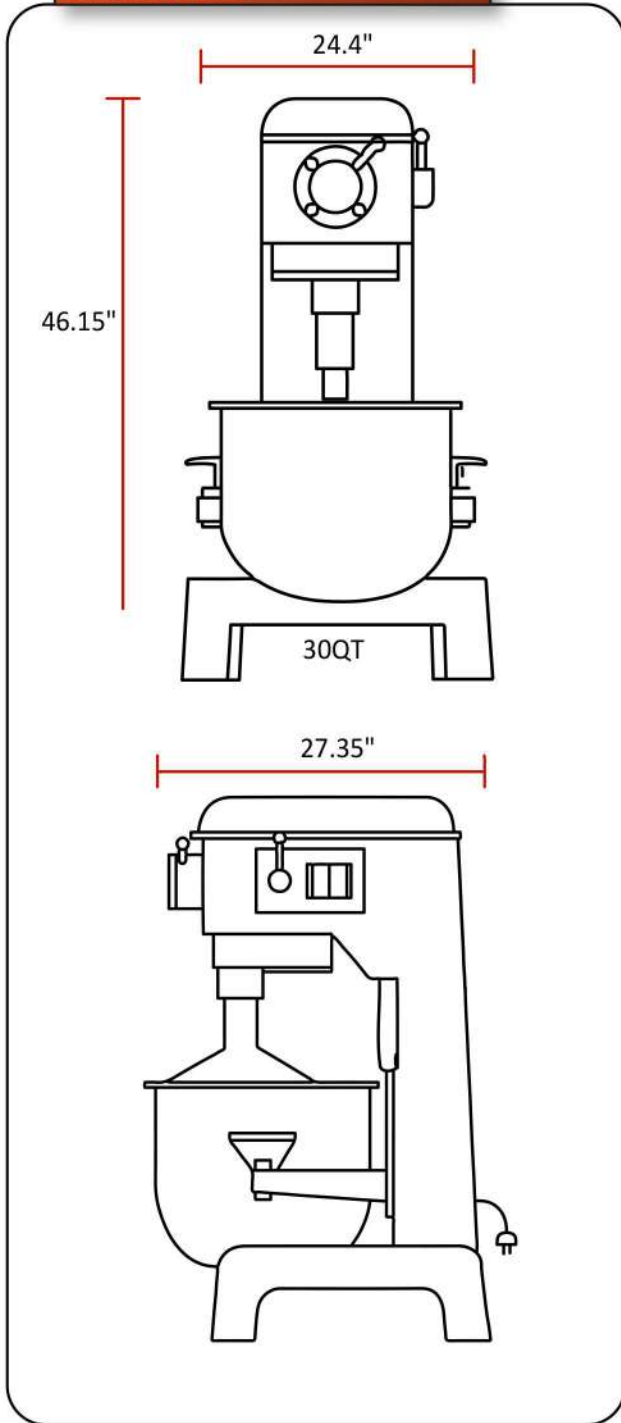
YOU CAN TRUST

PLANETARY MIXERS

SMM30



DIMENSIONS



ATTACHMENTS

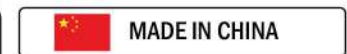


OPERATION:

- Powerful motor
- Direct drive 100% gear driven transmission for consistent mixing speed
- Three fixed speeds
- Push button On/Off Switch
- 60 - minute timer
- #12 Hub

CONSTRUCTION:

- Heavy duty construction
- Stainless steel wire safety guard around bowl
- Stainless steel bowl clamps hold mixing bowl securely in place
- Rubber inserts on feet for stability



WARRANTY 01 YEAR PARTS AND LABOR VALID IN THE CONTINENTAL UNITED STATES.

Item	Electrical	Power Rating	Amps	Dimensions (W x D x H)	Shipping Dimensions (W x D x H)	Weight (Net x Ship)	Bowl Capacity	Max. Dough Capacity	RPM	PLUG
SMM30	120V/60Hz	2 1/2 HP (1800 W)	15	24.4" x 27.35" x 46.15"	29" x 32" x 51"	328 lb x 392 lb	30 qt	15.5 lb	84/151/270	NEMA 5-15P



Skyfood Equipment LLC
175 SW 7th Street, Ste 2416
Miami, FL 33130 - 2992

Toll Free:
1-800-503-7534
sales@skyfood.us

www.skyfood.us



Follow us to keep up to date with the latest news and offers

[/SkyfoodEquipment](#)

[/SkyfoodEquipment](#)

[/SkyfoodEquipment](#)

ILLUSTRATIVE PHOTO. ACTUAL PRODUCTS AND ACCESSORIES ARE SUBJECT TO CHANGE WITHOUT NOTICE.