

Skyfood

GL200F / GL250F ECONOMY SLICERS



Product Detail



These compact Slicers offer dependability and efficiency. Resistant and durable Italian made chromium-plated carbon steel knife cuts effortlessly any deli style meats. Food carriage slides smoothly for consistent cuts. Ventilated high efficiency induction motor prevents overheating and runs quietly. Gravity feed carriage makes product feed easier. Carriage, gauge plate and knife cover manufactured in die-cast aluminum. Easily removable sharpener, food carriage and knife and clean lines make cleaning easy. Top mounted sharpener always ready to use. These Slicers are suitable for small sub shops, restaurants, hotels and similar light duty meat slicing applications.

Skyfood

GL200F & GL250F ECONOMY SLICERS

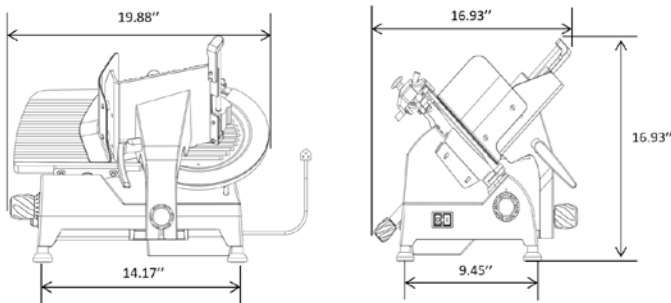
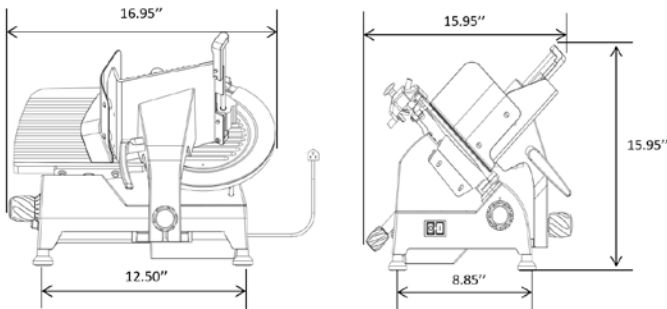


GL200F

Voltage.....	110 V
Power Rating	1/4 HP
Height	15 7/8"
Width	16 7/8"
Depth	15 7/8"
Net Weight.....	27 lb
Shipping Weight	34 lb
Cutting Height.....	4 1/2"
Cutting Width	6"
Blade Diameter.....	8"
Maximum Cut Thickness	1/2"
Cheese Slicing.....	N/A
Cord and Plug.....	5-foot, 3-wire, NEMA 5-15P

GL250F

Voltage.....	110 V
Power Rating	1/3 HP
Height	16 7/8"
Width	19 7/8"
Depth	16 7/8"
Net Weight.....	31 lb
Shipping Weight	37 lb
Cutting Height.....	5 1/2"
Cutting Width	7 1/2"
Blade Diameter.....	10"
Maximum Cut Thickness	1/2"
Cheese Slicing.....	N/A
Cord and Plug.....	5-foot, 3-wire, NEMA 5-15P



WARRANTY 1 (one) year parts and labor valid in the Continental United States.

SPECIFICATIONS ARE SUBJECT TO CHANGE WITHOUT NOTICE.

Office:

11900 Biscayne Blvd, Suite 616
North Miami, FL 33181

Phone: 1-800-503-7534 or 305-868-1603
Fax: 305-866-2704

Warehouse:

11200 NW 25 Street, Suite 117
Miami, FL 33172

📞 1-800-503-7534

✉ sales@skyfood.us

🌐 www.skyfood.us

📘 /SkyfoodEquipment 📷 /SkyfoodEquipment 📺 /SkyfoodEquipment