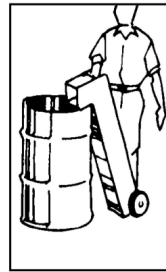
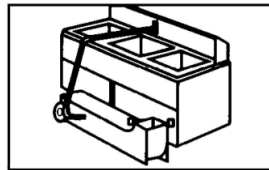


PROJECT	QUANTITY	ITEM NO
---------	----------	---------

Fryer Shortening Shuttle®

FS 100

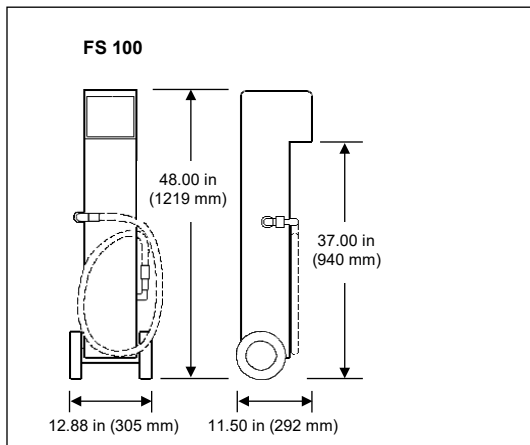


1. Drain used oil from fryer
2. Transport to appropriate container
3. Set spout on rim
4. Tip end up to empty shuttle

The Fryer Shortening Shuttle® is designed specifically for draining and transporting hot frying oil from open fryers to proper disposal containers. When properly used, the shuttle helps avoid spills and other safety concerns by eliminating the need to lift and carry hot oil in an open container.

- FS 100 spout height designed for a standard 55 gallon drum

Fryer Shortening Shuttle® FS 100



Standard features

- Lightweight aluminum body for easy handling
- Flexible drain hose with quick disconnect for convenience
- Male disconnect
- Reinforced, end-mounted wheel assembly with large 8 in (203 mm) wheels for easy pivoting and transport
- Spout provides leverage for pivoting wheel end up—*employees never have to lift loaded shuttle*
- Sealed hardwood handle minimizes heat transfer
- Stainless steel wall hook mounts shuttle securely against wall in upright position when not in use

FS 100

Dimensions

Width	12.88 in (305 mm)
Depth	11.50 in (292 mm)
Height	48.00 in (1219 mm)
Weight	25 lb (11 kg)

Crated

Width	15 in (380 mm)
Depth	12 in (305 mm)
Height	49 in (1245 mm)
Volume	5.1 ft ³ (0.14 m ³)
Weight	29 lb (13 kg)

Capacity hot frying oil

Volume	31 qt (29 L)
Weight	60 lb (27 kg)

Product Number	Description
FS100.01	FS-100 Fryer Shortening Shuttle®, male disconnect

Bidding Specifications

Provide Henny Penny Fryer Shortening Shuttle® FS100 for use in safely draining, transporting and disposing of spent hot frying oil. FS 100 is sized for disposal into standard 55 gallon drums.

Units shall incorporate:

- Containment body constructed of integral lightweight aluminum
- Flexible hose with quick disconnect fitting for use with all Henny Penny filtration-equipped fryers
- 8 in (203 mm) wheel assembly

Continuing product improvement may subject specifications to change without notice.

<input type="checkbox"/> APPROVED	<input type="checkbox"/> APPROVED AS NOTED	<input type="checkbox"/> RESUBMIT
AUTHORIZED SIGNATURE		DATE

Henny Penny Corporation
 PO Box 60 Eaton OH 45320 USA
 +1 937.456.8400 800.417.8417
 +1 937.456.8434 Fax 800.417.8434 Fax
 +1.800.417.8405 Technical Support
www.hennypenny.com

HENNY PENNY
 Engineered to Last